

Installation Manual

Option Board

MultiSync® M series, P series, MA series

This manual describes the Option Board installation procedure for installers.
Please check the User's Manual before installing the Option Board for additional information.

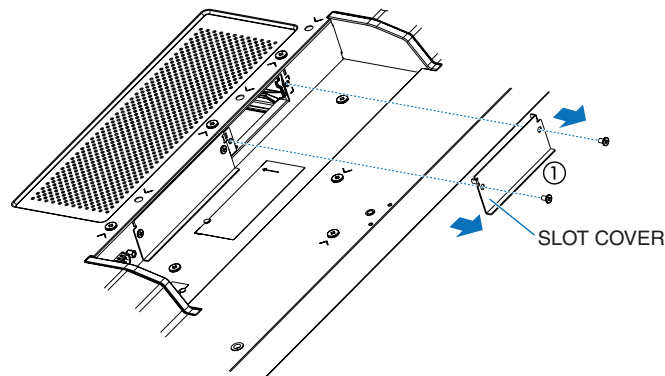
Installing an Option Board

You can install Option Boards that are compatible with Intel® Smart Display Module Small (Intel® SDM-S) and Intel® Smart Display Module Large (Intel® SDM-L) specifications.

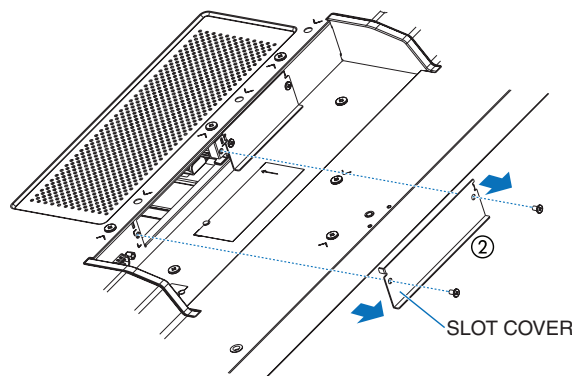
1. Turn off the main power switch.
2. If signal cables or the power cord is connected to the monitor, please disconnect them.
3. Place the monitor face down on a flat even surface that is larger than the monitor screen. Use a sturdy table that can easily support the weight of the monitor.

NOTE: To avoid scratching the LCD panel, always place a soft cloth, such as a blanket that is larger than the monitor's screen area, on the table before laying the monitor face down. Make sure there is nothing on the table that can damage the monitor.

4. Intel® SDM-S:
Remove SLOT COVER ①.



- Raspberry Pi Compute Module:
Remove SLOT COVER ②.



- Intel® SDM-L:
Remove SLOT COVER ① and ② (Figure 1).

Slide the CENTER RAIL to the right and remove it. Reverse the process to reattach it (Figure 1-1).

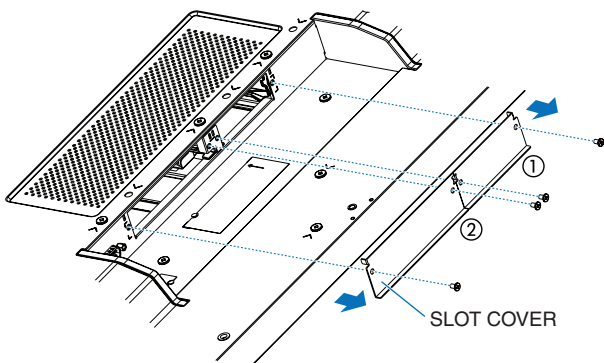


Figure 1

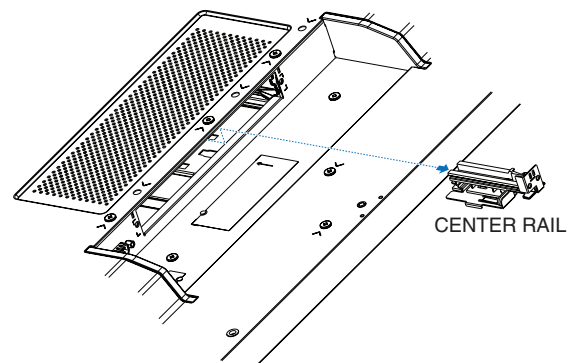


Figure 1-1

5. Insert the Option Board into the monitor and affix it in place with the removed screws used for slot cover (**Figure 2**).
(Recommended fasten force: 50~80 N•cm).

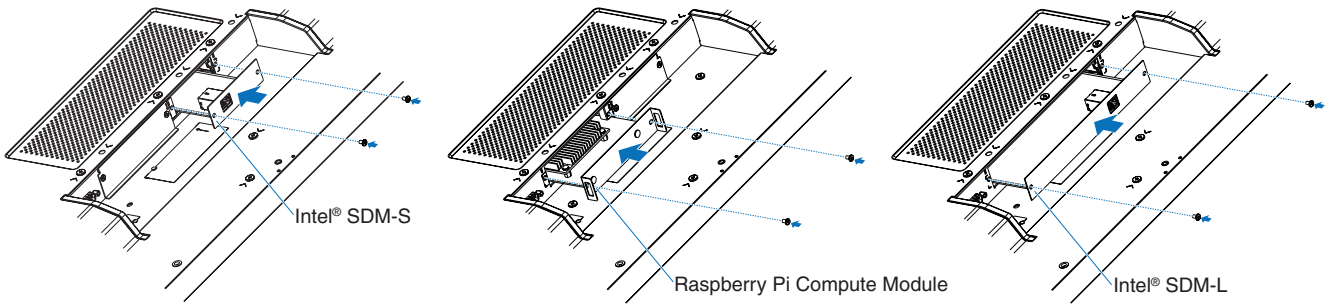


Figure 2

NOTE: Unless your monitor is purchased as part of a special bundle package, no Option Boards will be in the box or installed in the monitor. These are optional accessories available for separate purchase. Please contact your supplier for a list of Option Boards available for your monitor.

Make sure the board is inserted into the slot in the correct orientation.

Do not apply excessive force to manipulate the Option Board before attaching it with screws.

WARNING: Ensure the Option Board is securely fastened using the original screws to prevent the OPTION from falling out the product. A falling Option Board may expose you to danger.

For installation videos, please visit our website.

Raspberry Pi Compute Module	Intel® Smart Display Module Large
