

# DATA SHEET



## USB-C to DisplayPort Adapter Cable 4K30

Connect a USB-C computer directly to the DisplayPort input of a projector or display to transmit video and audio

### OVERVIEW

The USB-C to DisplayPort Cable allows for a direct connection of a USB-C enabled laptop or device to a DisplayPort input on a projector or display—making it an ideal solution for the office, work space applications, or classroom.

The cable form factor of this adapter provides a simple and convenient solution that eliminates the need for a separate adapter and cable.

This adapter utilises the audio/video support built into USB Type-C ports to feed an audio/video signal to the DisplayPort input of a projector or display. This adapter supports up to a 4K30 resolution—allowing it to deliver a high quality video image to the connected display.

### FEATURES

- Supports up to a 4K resolution at 30Hz
- Reversible, symmetrical USB-C connector
- Adapter in cable form factor
- Plug and Play—no driver required

### ITEM DESCRIPTION

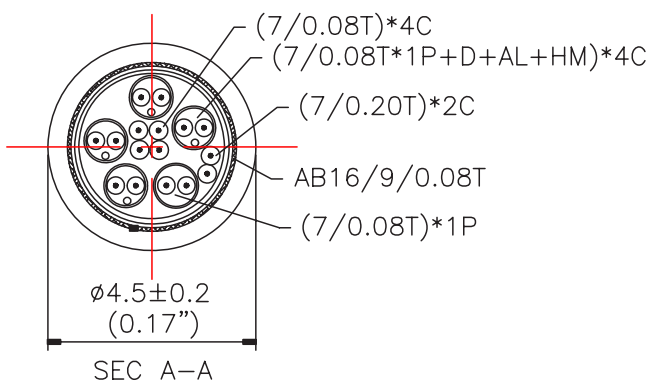
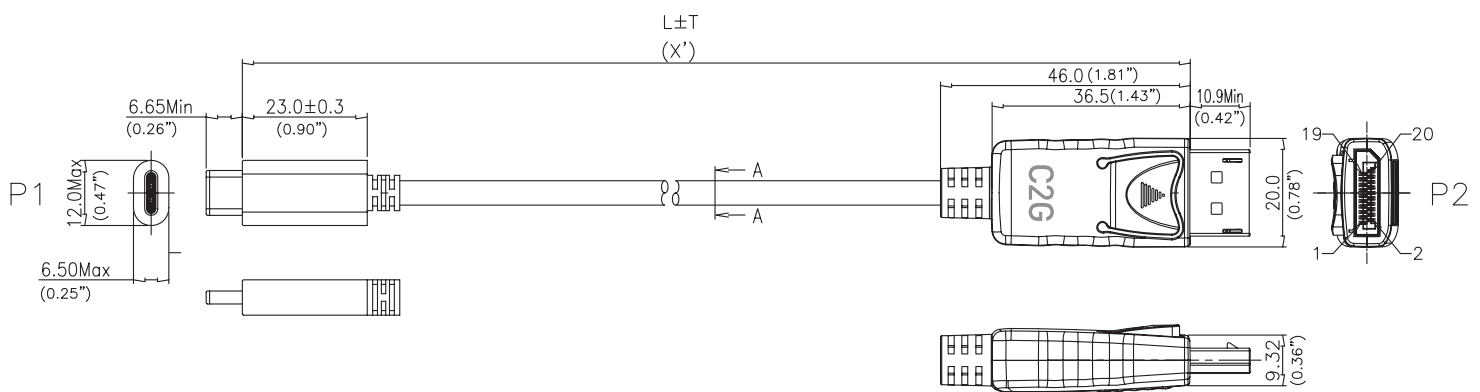
80563	0.9m USB-C to DisplayPort Adapter Cable 4K30 - White
80564	1.8m USB-C to DisplayPort Adapter Cable 4K30 - White
80565	2.7m USB-C to DisplayPort Adapter Cable 4K30 - White
80566	3.7m USB-C to DisplayPort Adapter Cable 4K30 - White

# DATA SHEET

## SPECIFICATIONS: USB-C to DisplayPort Adapter Cable 4K30

### SPECIFICATIONS:

- UL2725 (7/0.08\*1P+D+AL+MY)\*5C+7/0.08T\*4C+7/0.16T\*2C+AB16/9/0.08T, OD=ø4.7±0.2mm, Jacket: PVC - White
- Chipset: CH7213A
- Operating Temperature: 0 ~ 50°C
- Storage Temperature: -25 ~ 70°C
- P1: USB Type-C Male: Solder type, Gold Flash Contact, Front Shell Nickel-Plated, Insulation: Black
- P2: DisplayPort 20P Male: Solder Type, Gold Flash Contacts, Front Shell Nickel-Plated, Insulation: Black
- Product is CE Marked and Conforms to 2011/65/EU RoHS2



**C2G**  
A brand of **Legrand**

Great King Street North  
Birmingham, West Midlands B19 2LF  
UK Phone (0)800 328 2916  
EMEA Phone +44 (0)1952 677300  
www.c2g.com/uk

Follow Us

